



Project:  
Item:  
Quantity:

**VACUUM PACKAGING MACHINE  
MEGA F-600**



**FEATURES**

- Seal bar length: 1x23.6" with 2 wires each, for double security
- Seal bars easily removable for cleaning and maintenance purposes
- Pump capacity: 2,780 cf/h (75 m<sup>3</sup>/h) Busch vacuum pump
- Machine cycle: 20-40 sec
- Standard equipped with Gas flush
- Soft Air to protect product and bag
- Stainless steel exterior and a transparent lid, which opens after every cycle
- Deep drawn vacuum chamber
- Comes with a service kit and insert plates for a faster cycle and product adjustment
- 12ft cord with NEMA 6-30P plug
- Pump maintenance/cleaning program
- Standard 3 phase

**OPTIONS AND ACCESSORIES**

- Cut-off seal or Wide seal (\$0)
- Inclined insert plate
- External adaptor
- Liquid Control
- Label printer
- Service kit for standard maintenance

**DESCRIPTION**

The robust, stainless steel Mega F-600 vacuum packer is standard equipped with a Busch vacuum pump. This machine is ETL listed and complies with UL, CSA and CE standards.



**WARRANTY**

Pack 3000 offers a warranty of 1 year on labor and 3 years on parts. For full warranty details, please refer to [www.pack3000.com](http://www.pack3000.com)

**DATE**

**APPROVAL**



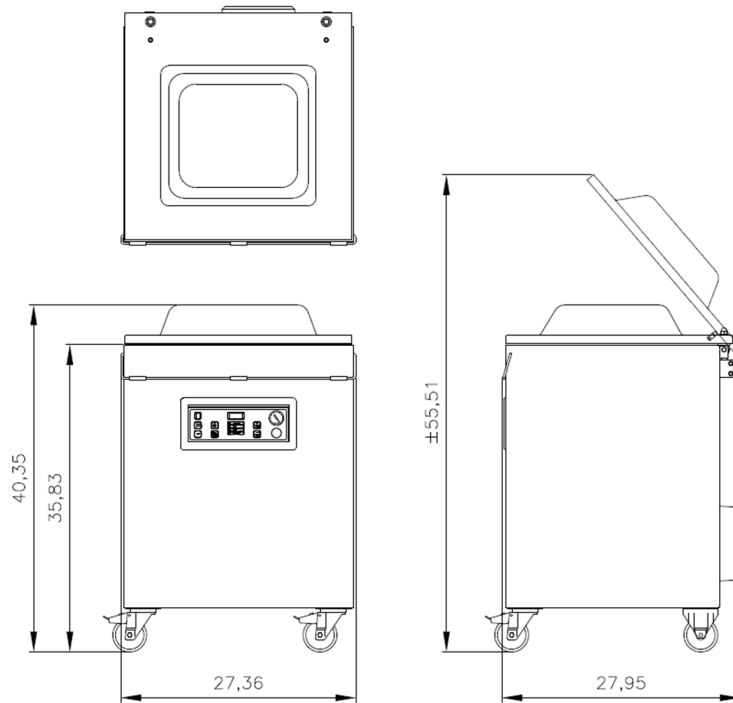
PACK 3000  
Sales and technical support  
[sales@pack3000.com](mailto:sales@pack3000.com)

# VACUUM PACKING MACHINE MEGA F-600 – SPECS

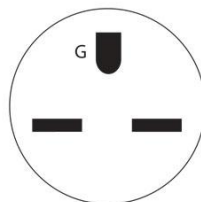
VACUUM SEALER MEGA F-600 – SPEC SHEET

## DIMENSIONS

In inches



Model	Dimensions (inches)		Volts	Amps	Hz	Pump capacity	HP	Plug	Weight (lbs)
	Chamber (usable space) LxWxH	Machine LxWxH							
Mega F-600	20.5"x19.7"x7.9"	28"x27.4"x40.4"	220-1-60 Hz	19,5	60Hz	2,780 cf/h (75 m3/h)	2.8	NEMA 6-30P	364



Nema 6-30

Single phase (option) 220 Volt / 2 pole, 3 wire grounding.



PACK 3000  
Sales and technical support

[sales@pack3000.com](mailto:sales@pack3000.com)