

Pack3000

Project:

Item:

Quantity:

MEGA ST8060

DIPTANK



FEATURES

- Digital temperature control
- Hydraulic movement
- Stainless steel housing
- Optimal hygiene
- Various dimensions
- Maximal loading capacity: 132 lbs
- Machine dimensions: 34.7 x 39.4 x 52"
- Chamber dimensions: 23.6 x 31.5 x 8.7"
- Dipping depth: 8.7"
- Cycle time: 3-5 seconds
- Power: 20 HP
- Voltage: 220V-3-60

OPTIONS AND ACCESSORIES

- Isolation balls prevent evaporation

DESCRIPTION

Combined with a vacuum packaging machine, the MEGA ST8060 produces perfect skin packages for an aesthetic presentation. Shrink technology protects your product like a second skin. This machine fully complies with CE standards.



WARRANTY

Pack 3000 offers a warranty of 1 year on labor and 3 years on parts. For full warranty details, please refer to www.pack3000.com

DATE

APPROVAL

Pack3000

PACK 3000
Sales and technical support

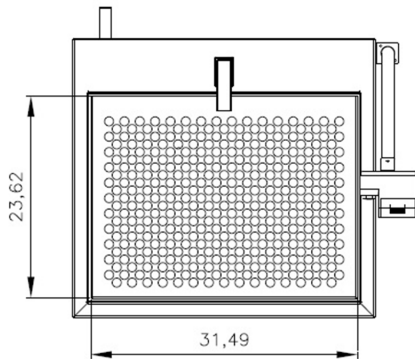
sales@pack3000.com

DIPTANK MEGA ST8060 - SPEC SHEET

DIPTANK MEGA ST8060 – SPECS

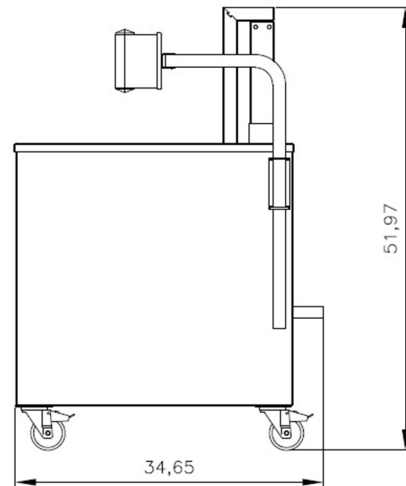
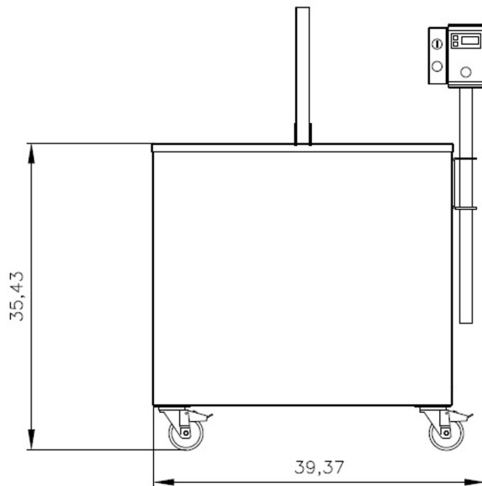
DIMENSIONS

In inches



OUTER DIMENSIONS

(measurement in INCH)



Model	Dimensions (inches)		Volts	Amps	Hz	Pump capacity	HP	Plug	Weight (lbs)
	Chamber (usable space) LxWxH	Machine LxWxH							
Mega ST80960	23.6"x31.5"x8.7"	34.7"x39.4"x52"	220-230V	40	60Hz	-	20	-	342

3 pole, 4 wire grounding 3 x 220 Volt



PACK 3000
Sales and technical support

sales@pack3000.com